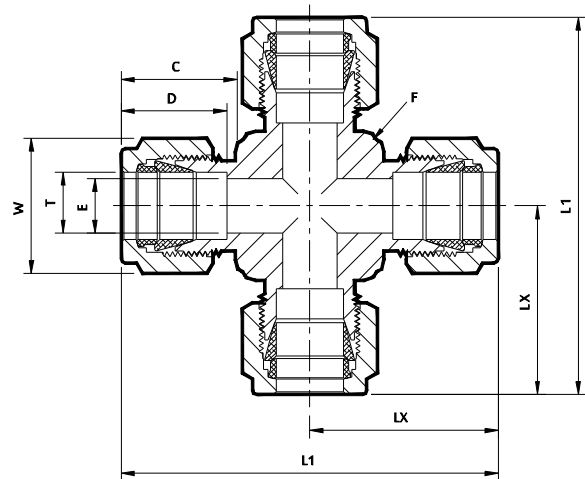


## 2.12 Union Cross

### 01. Fractional Tube x Fractional Tube

Material - **SS 304 | SS 316**



Sr. No.	TUBE OD Ø T	Ref. Part No.		ØE	D	C	L1	LX	Body Hex F	Nut Hex W
		SS 304	SS 316							
		UCD4	UCD6	Dimensions in Inches						
1	1/8	2UCDx4	2UCDx6	0.09	0.50	0.60	1.76	0.88	1/2	7/16
2	1/4	4UCDx4	4UCDx6	0.19	0.60	0.70	2.12	1.06	9/16	9/16
3	5/16	5UCDx4	5UCDx6	0.25	5/16	0.64	2.34	0.73	9/16	5/8
4	3/8	6UCDx4	6UCDx6	0.28	0.66	0.76	2.40	1.20	11/16	11/16
5	1/2	8UCDx4	8UCDx6	0.41	0.90	0.86	2.84	1.42	13/16	7/8
6	5/8	10UCDx4	10UCDx6	0.50	0.96	0.86	2.86	1.43	7/8	1
7	3/4	12UCDx4	12UCDx6	0.62	0.96	0.86	3.14	1.57	1.1/16	1.1/8
8	1	16UCDx4	16UCDx6	0.88	1.23	1.04	3.86	1.93	1.3/8	1.1/2

### 02. Metric Tube x Metric Tube

Material - **SS 304 | SS 316**

Sr. No.	TUBE OD Ø T	Ref. Part No.		ØE	D	C	L1	LX	Body Hex F	Nut Hex W
		SS 304	SS 316							
		MUCD4	MUCD6	Dimensions in Millimetres						
1	3	3MUCDx4	3MUCDx6	2.4	12.9	15.3	44.7	22.3	11.1	12
2	6	6MUCDx4	6MUCDx6	4.8	15.3	17.7	53.9	27.0	14.2	14
3	8	8MUCDx4	8MUCDx6	6.4	16.2	18.6	59.7	29.9	16	16
4	10	10MUCDx4	10MUCDx6	7.9	17.2	19.5	67.0	33.5	19	19
5	12	12MUCDx4	12MUCDx6	9.5	22.8	22.0	72.0	36.0	22.2	22
6	16	16MUCDx4	16MUCDx6	12.7	24.4	22.0	74.0	37.0	25.4	25
7	18	18MUCDx4	18MUCDx6	15.1	24.4	22.0	76.6	38.3	27	30
8	20	20MUCDx4	20MUCDx6	15.9	26.0	22.0	89.3	44.6	30	32
9	25	25MUCDx4	25MUCDx6	21.8	31.3	26.5	98.3	49.1	35	38

- NOTE : ① The E Dimension is the minimum opening.  
② Dimension L1, C, D is shown in the finger-tight position.